



SPECIFICATIONS HD 1200

Item Number:	8232
Load Capacity:	1,200 lbs.
Load Size:	15 Cubic Feet
Overall Dimensions:	84" x 45" x 31"
Overall Weight:	107 lbs.
Body Dimensions:	62" x 31" x 18"
Tire Size:	18 x 8.50

NOTICE: Once used, this trailer cannot be returned to the store. If you have a warranty claim, please contact Polar Trailer UK directly.

Warranty Information

Polar Trailer UK, LLC. (a division of W & H Eves) warrants to the original retail purchaser its product be free from manufacturers defects for one (1) year from the date of the original purchase. Polar Trailer UK will replace or repair any part found defective within the one (1) year time limit. All parts must be returned to Polar Trailer UK. Before returning any parts, you must first call or write and acquire a return authorisation number. All returns must be returned postage-prepaid and include the original cash register receipt (date and purchase price).

To obtain a return authorisation, please use one of the following methods:

- Call: **+44(0)1543 473 444**
- Write: **W & H Eves.
Unit 5, The Aviary
Woodgate, Crawley Lane
Kings Bromley
Staffordshire
DE13 7JF**
- Email: **CustomerService@polartrailer.co.uk**

The warranty does not apply to any Polar Trailer which has been subjected to an accident, improper installation, modification, adjustment, repair, misuse, misapplication, neglect, including but not limited to improper maintenance, or use of unauthorized parts or attachments.

Limitation of Liability

It is expressly understood that Polar Trailer UK liability for its products, whether due to breach of warranty, negligence, strict liability, or otherwise, is limited to the repair of the product as stated above. Polar Trailer UK is not liable for any injury, loss, damage, or expense, whether direct or consequential, including but not limited to loss of use, income, profit, or damage to material arising in connection with the sale, installation, use of, inability to use, or the repair or replacement of Polar Trailer UK products. Polar Trailer UK reserves the right to make alterations or modifications in its products at any time, which in its opinion, may improve the performance and efficiency of the product. It shall not be obligated to make such alterations or modifications to products already in service.

WARNING: THIS ATTACHMENT IS INTENDED FOR USE IN LAWN CARE AND HOME APPLICATIONS. DO NOT TOW BEHIND A VEHICLE ON A ROAD OR IN ANY HIGH SPEED APPLICATION.

Towing Loads Safely

- Stopping distance increases with speed and weight of towed load. Travel slowly and allow extra time and distance to stop.
- Total towed weight must not exceed limits specified in towing vehicle operator's manual.
- Excessive towed load can cause loss of traction and loss of control on slopes. Reduce towed weight when operating on slopes.
- Never allow children or others in or on towed equipment.
- Use only approved hitches. Tow only with a machine that has a hitch designed for towing. Do not attach towed equipment except at the approved hitch point.
- Follow the manufacturer's recommendations for weight limits for towed equipment and towing on slopes.
- Do not turn sharply. Use additional caution when turning or operating under adverse surface conditions. Use care when reversing.
- Do not shift to neutral and coast downhill.

WARNING: THIS ATTACHMENT IS INTENDED FOR USE IN LAWN CARE AND HOME APPLICATIONS. DO NOT TOW BEHIND A VEHICLE ON A ROAD OR IN ANY HIGH SPEED APPLICATION.

Protect Bystanders

- Keep bystanders away when you operate a towed attachment.
- Before you back machine and attachment, look carefully behind attachment for bystanders.

Keep Riders off Towed Attachment

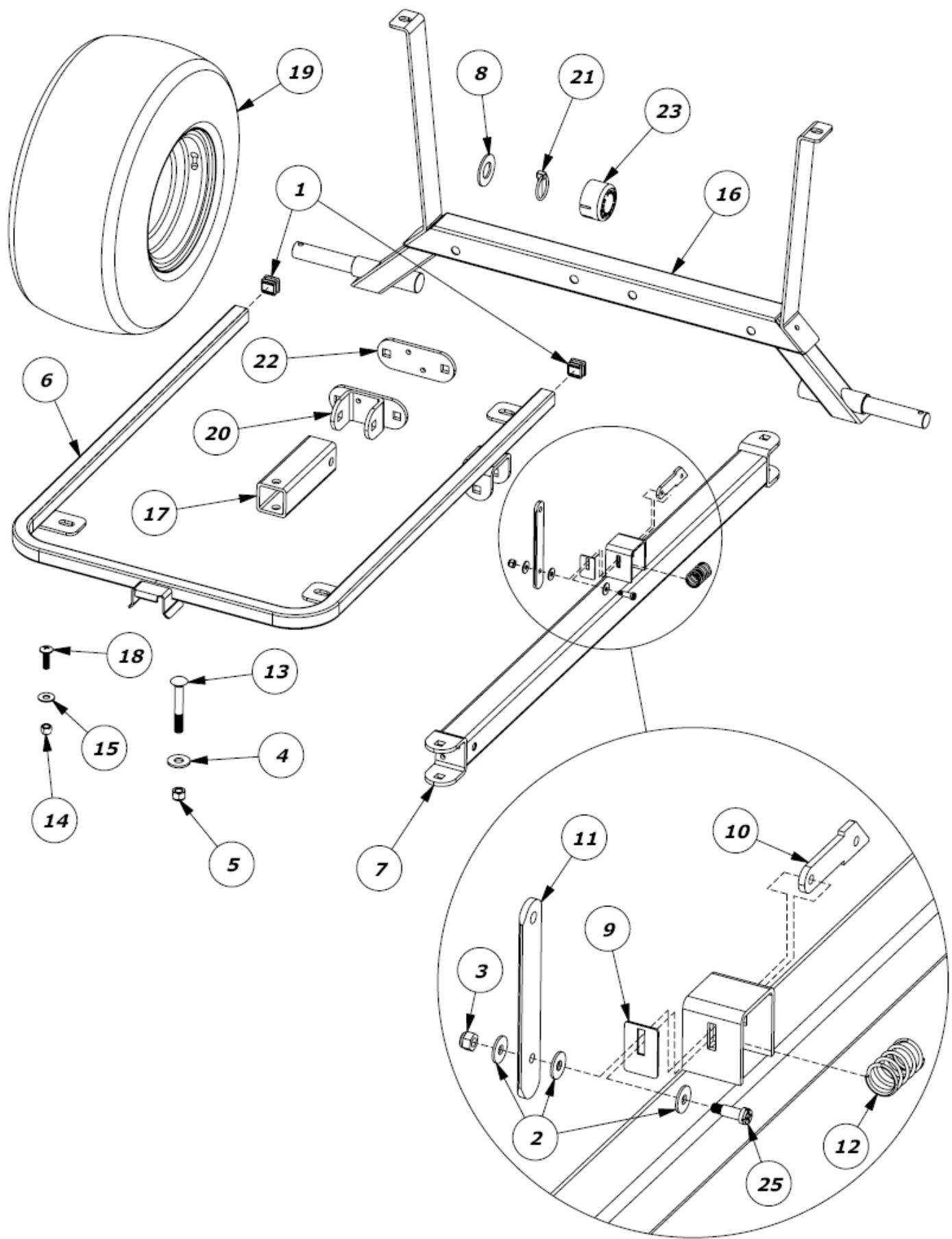
- Keep riders off of a towed attachment.
- Riders on a towed attachment are subject to injury, such as being struck by objects and being thrown off the attachment during sudden starts, stops and turns.
- Riders obstruct the operator's view, resulting in the attachment being used in an unsafe manner.
- Keep riders off of the hitch bracket or trailer tongue.

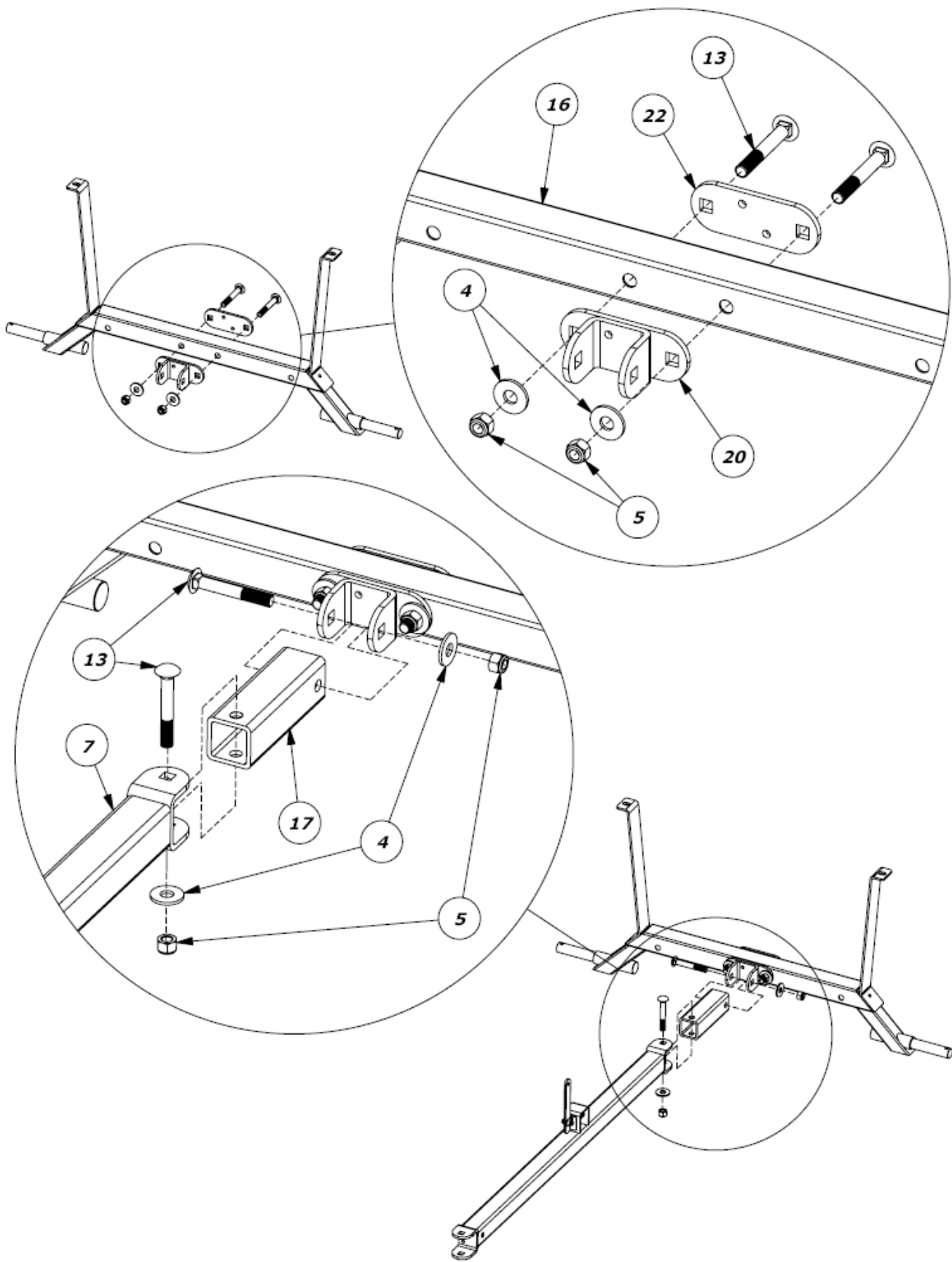
Disconnecting Towed Attachment

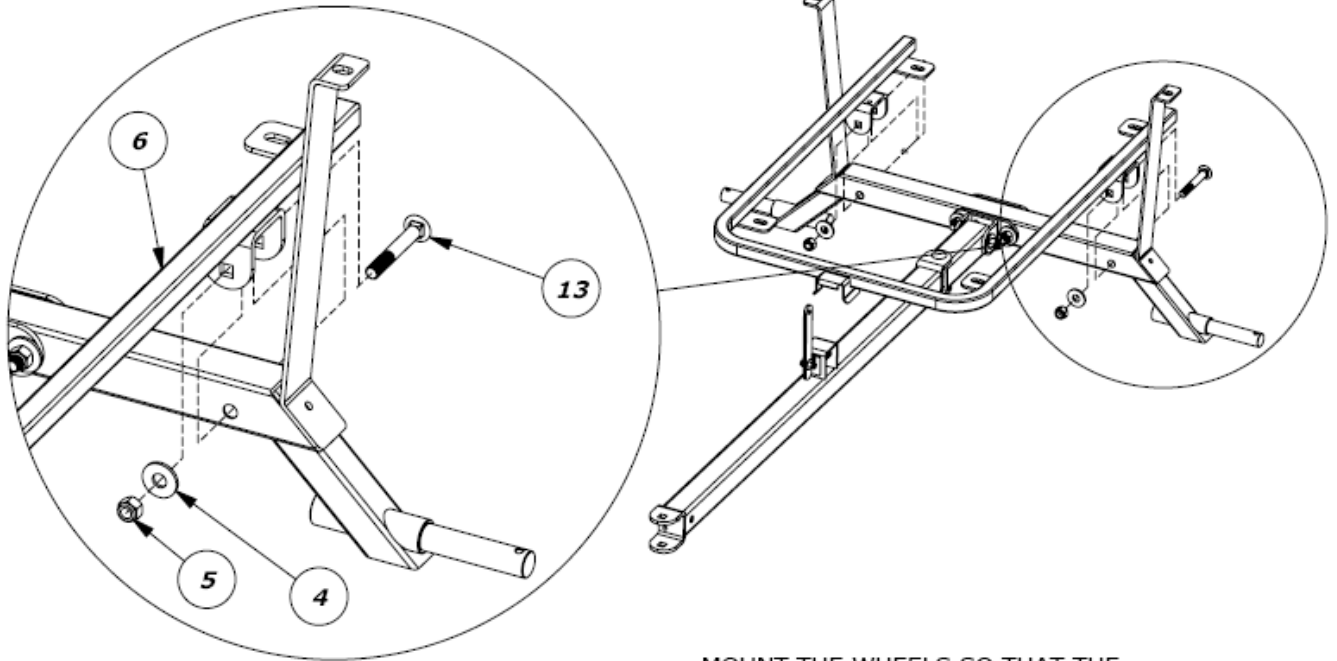
- Unload trailer.
- Stop attachment on level ground.
- Stop machine engine.
- Lock machine park brake.
- Block attachment wheels.

Replacement Parts

ITEM	QTY	P/N	DESCRIPTION	ITEM	QTY	P/N	DESCRIPTION
1	2	101016	PLUG, 1" SQ X 14 GA BLACK	14	6	101740	NUT, 3/8-16 NYLOCK CZ
2	3	101081	WASHER, 1/4" FLAT REG CZ	15	6	101741	WASHER, 3/8" FLAT REG CZ
3	1	101163	NUT, 1/4-20 NYLOCK CZ	16	1	101743	WLDT, MED AXLE
4	6	101312	WASHER, 1/2" FLAT REG CZ	17	1	101721	TUBE, 2 X 2 PIVOT
5	6	101313	NUT, 1/2-13 NYLOCK	18	6	101749	BOLT, 3/8-16 X 1.25 TH GR2 CZ
6	1	101727	WLDT, MED U-FRAME	19	2	101757	ASSY, 18X8.50-8 WHEEL
7	1	101729	WLDT, MED HITCH TUBE	20	1	101822	WELDT, HITCH PULL
8	4	101732	WASHER, 1" FLAT SAE CZ	21	2	101823	PIN, 1/4" DIA LYNCH
9	1	101734	PLATE, WEAR	22	1	101824	PLATE, PULL SUPPORT
10	1	101735	LATCH, TRAILER	23	2	101825	CAP, DUST
11	1	101737	HANDLE, LATCH	24	1	101832	BASE, MED TRAILER
12	1	101738	SPRING, LATCH	25	1	101955	BOLT, 5/16" SHOULDER
13	6	101739	BOLT, 1/2-13 X 3.50 CB GR2 CZ				







MOUNT THE WHEELS SO THAT THE VALVE STEMS AND GREASE FITTINGS FACE INWARDS OTHERWISE THE CAPS (16) MAY INTERFERE WITH GREASE FITTINGS

